

Technical Data Sheet

Compressor model **ML80TB**
 Voltage **220-240V 50Hz ~1**
 Refrigerant **R404A**

APPLICATION

COMPRESSOR

MOTOR

Application	High-Medium Back Pressure	Displacement	7,57 cm ³	Approximate Power	3/8 hp
Refrigerant	R404A	Diameter	25,40 mm	Voltage/Frequency	220V 50Hz
Evaporating Temp.	-25,0 to 10,0	Stroke	14,92 mm	Voltage range	198-255 V
Expansion	Capillar/Valve	Net Weight	11,40 Kg	Type	CSIR
Comp. Cooling	Fan cooled	Oil type	ISO VG 46 ESTER	Phase number	1 P
Max. ambient temp.	43,0	Oil charge	400 cm ³	Locked rotor current	12,80 A
				Main W. resist. at 25°C	7,75
				Start W. resist. at 25°C	21,43

NOMINAL PERFORMANCE

	ASHRAE	CECOMAF
Cooling Capacity	950 kcal/h	880 W
COP	1,99 W/W	1,65 W/W
EER	1,71 kcal/Wh	1,42 kcal/Wh
Input Power	555 W	535 W
Current	3,10 A	3,01 A

APPROVALS



TEST CYCLE CONDITIONS

	ASHRAE HMBP (D)	CECOMAF HMBP (C)
Evaporating temp.	7,2 °C	5,0 °C
Condensing temp.	55,0 °C	55,0 °C
Liquid temp.	46,0 °C	55,0 °C
Ambient temp.	35,0 °C	32,0 °C
Suction temp.	35,0 °C	32,0 °C
Voltage/Frequency	220 V 50 Hz	220 V 50 Hz

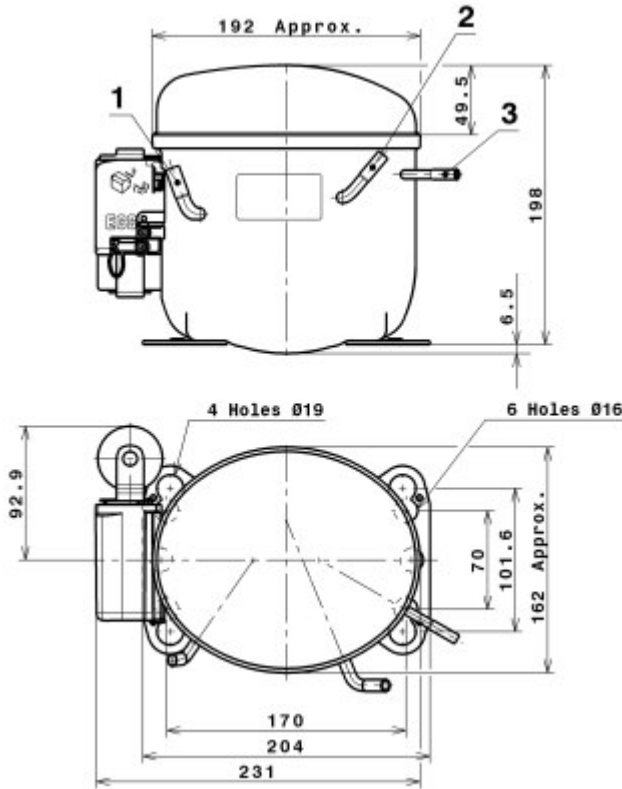
ELECTRICAL COMPONENTS

Starting capacitor	47- 56 µF 330 V			
Relay	Option 1			
Reference	2014 138.			
Pick-Up	6,10 A			
Drop-Out	5,20 A			
Protector	Option 1	Option 2		
Reference	MST26AMK	T0181		
Current	11,10 A	11,10 A		
Time check	7,5-14 seg	7,5-14 seg		
Disc temp. (Open/Close)	105,00 / 61,00 °C	105,00 / 61,00 °C		

ASHRAE

Tc	Te	Cooling Capacity kcal/h	Consumption W	Current A	COP W/W	EER kcal/Wh
40	-25	315	284	2,08	1,29	1,11
40	-20	419	316	2,18	1,55	1,33
40	-15	538	346	2,28	1,81	1,56
40	-10	673	375	2,38	2,09	1,79
40	-5	822	403	2,49	2,38	2,04
40	0	987	429	2,58	2,67	2,30
40	5	1.166	454	2,68	2,99	2,57
40	7,2	1.250	465	2,72	3,13	2,69
40	10	1.361	478	2,78	3,31	2,85
45	-25	285	286	2,09	1,16	1,00
45	-20	378	322	2,20	1,37	1,18
45	-15	487	357	2,32	1,59	1,37
45	-10	610	390	2,44	1,82	1,57
45	-5	749	422	2,56	2,06	1,77
45	0	902	453	2,68	2,32	1,99
45	5	1.071	482	2,79	2,58	2,22
45	7,2	1.150	495	2,85	2,70	2,32
45	10	1.255	511	2,91	2,86	2,46
50	-25	255	288	2,09	1,03	0,89
50	-20	337	328	2,22	1,20	1,03
50	-15	435	367	2,36	1,38	1,18
50	-10	548	405	2,49	1,57	1,35
50	-5	675	441	2,63	1,78	1,53
50	0	818	477	2,77	2,00	1,72
50	5	976	510	2,91	2,22	1,91
50	7,2	1.050	525	2,97	2,33	2,00
50	10	1.149	543	3,05	2,46	2,11
55	-25	225	290	2,10	0,90	0,78
55	-20	297	335	2,25	1,03	0,89
55	-15	383	378	2,40	1,18	1,01
55	-10	485	420	2,55	1,34	1,15
55	-5	602	461	2,71	1,52	1,31
55	0	734	500	2,87	1,71	1,47
55	5	881	539	3,03	1,90	1,64
55	7,2	950	555	3,10	1,99	1,71
55	10	1.043	576	3,19	2,11	1,81
60	-25	195	292	2,11	0,78	0,67
60	-20	256	341	2,27	0,87	0,75
60	-15	332	389	2,43	0,99	0,85
60	-10	422	435	2,61	1,13	0,97
60	-5	528	480	2,78	1,28	1,10
60	0	649	524	2,97	1,44	1,24
60	5	785	567	3,15	1,61	1,39
60	7,2	850	585	3,23	1,69	1,45
60	10	936	608	3,34	1,79	1,54

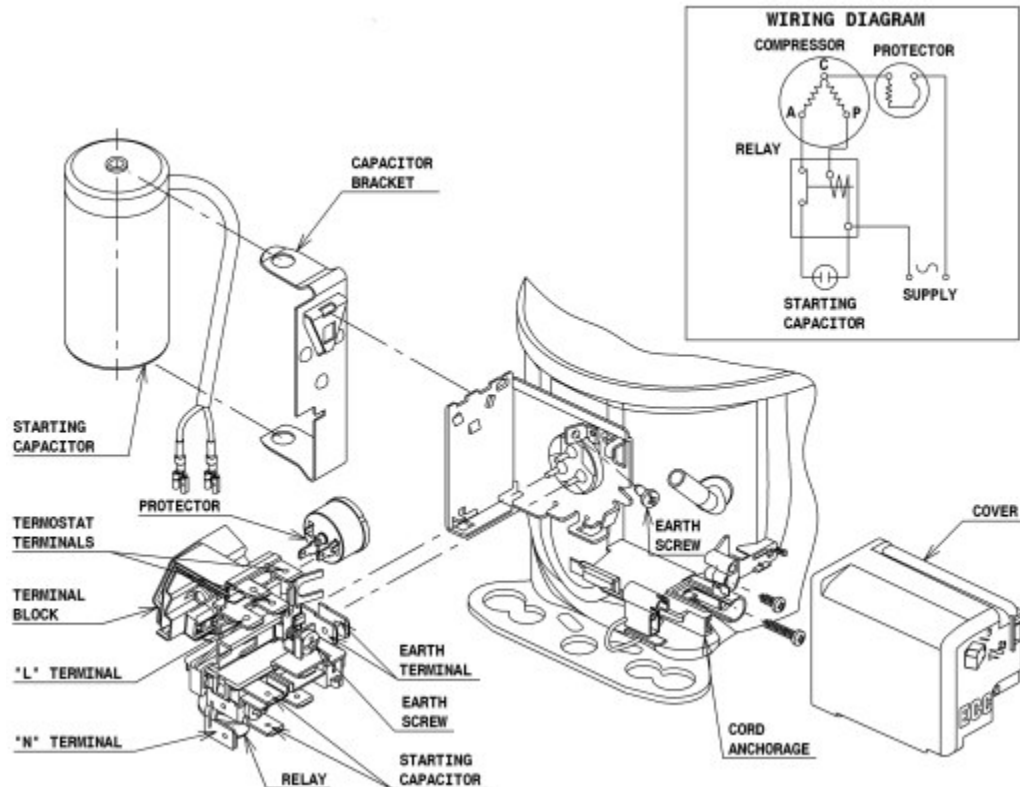
COMPRESSOR DIMENSIONS



DESIGNATION	INTERNAL DIAM.
1 Suction	6,5 mm
2 Service	6,5 mm
3 Discharge	4,9 mm

WIRING DIAGRAMS AND ELECTRICAL ASSEMBLY

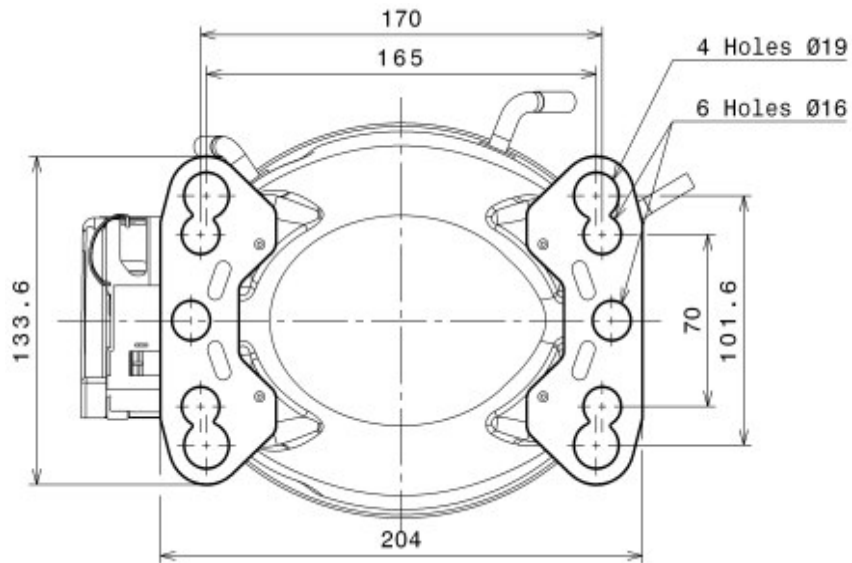
CSIR CONNECTION



Technical Data Sheet

FIXINGS

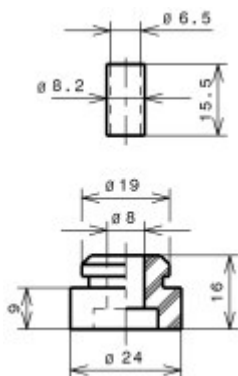
American mounting feet



SILENT BLOCKS (MOUNTING ACCESSORIES)

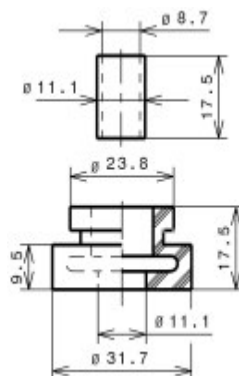
STANDARD

D.16 holds net (170x70)



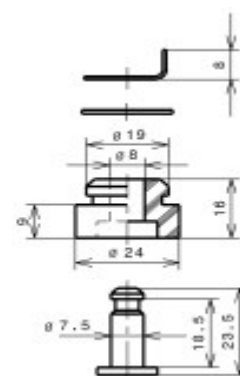
AMERICAN FEET

D.19 (165x101.6)



SNAP-ON

D.16 holds net (170x70)



SOA

SOA R404A HMBP

