

Technical Data Sheet

Compressor model **MS26TB_T**
 Voltage **220-240V 50Hz ~1**
 Refrigerant **R404A**

APPLICATION

COMPRESSOR

MOTOR

Application	High-Medium Back Pressure	Displacement	25,93 cm ³	Approximate Power	1 3/8 hp
Refrigerant	R404A	Diameter	39,98 mm	Voltage/Frequency	220V 50Hz
Evaporating Temp.	-25,0 to 10,0	Stroke	20,65 mm	Voltage range	187-264 V
Expansion	Capillar/Valve	Net Weight	23,00 Kg	Type	CSR
Comp. Cooling	Fan cooled	Oil type	ISO VG 46 ESTER	Phase number	1 P
Max. ambient temp.	43,0	Oil charge	887 cm ³	Locked rotor current	38,00 A
				Main W. resist. at 25°C	1,48
				Start W. resist. at 25°C	4,95

NOMINAL PERFORMANCE

	ASHRAE	CECOMAF
Cooling Capacity	3.448 kcal/h	3.193 W
COP	2,46 W/W	2,03 W/W
EER	2,12 kcal/Wh	1,76 kcal/Wh
Input Power	1.629 W	1.569 W
Current	8,10 A	7,83 A

APPROVALS



TEST CYCLE CONDITIONS

	ASHRAE HMBP (D)	CECOMAF HMBP (C)
Evaporating temp.	7,2 °C	5,0 °C
Condensing temp.	55,0 °C	55,0 °C
Liquid temp.	46,0 °C	55,0 °C
Ambient temp.	35,0 °C	32,0 °C
Suction temp.	35,0 °C	32,0 °C
Voltage/Frequency	220 V 50 Hz	220 V 50 Hz

ELECTRICAL COMPONENTS

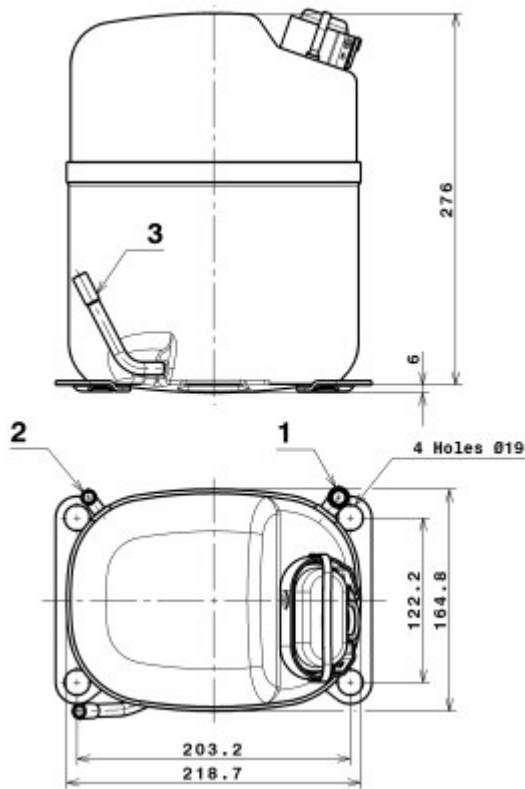
Starting capacitor	88-108 µF 330 V			
Run capacitor	20 µF 420 V			
Relay	Option 1	Option 2		
Reference	3ARR3 10AS3	RVA 3G..		
Pick-Up	180-195 A	180-195 A		
Drop-Out	40-105 A	40-105 A		
Protector	Option 1	Option 2		
Reference	MRA38123	T0534		
Current	22,00 A	20,00 A		
Time check	7,5-14 seg	7,5-14 seg		
Disc temp. (Open/Close)	105,00 / 52,00 °C	105,00 / 52,00 °C		

ASHRAE

Tc	Te	Cooling Capacity kcal/h	Consumption W	Current A	COP W/W	EER kcal/Wh
40	-25	1.105	810	4,47	1,59	1,36
40	-20	1.481	910	4,91	1,89	1,63
40	-15	1.913	1,007	5,34	2,21	1,90
40	-10	2.400	1,099	5,75	2,54	2,18
40	-5	2.942	1,188	6,14	2,88	2,48
40	0	3.539	1,273	6,52	3,23	2,78
40	5	4.192	1,354	6,88	3,60	3,09
40	7,2	4.497	1,389	7,03	3,77	3,24
40	10	4.900	1,432	7,22	3,98	3,42
45	-25	960	790	4,38	1,41	1,22
45	-20	1.305	906	4,89	1,68	1,44
45	-15	1.704	1,018	5,38	1,95	1,67
45	-10	2.160	1,126	5,86	2,23	1,92
45	-5	2.670	1,230	6,33	2,52	2,17
45	0	3.235	1,331	6,77	2,83	2,43
45	5	3.856	1,428	7,20	3,14	2,70
45	7,2	4.147	1,469	7,39	3,28	2,82
45	10	4.532	1,521	7,62	3,47	2,98
50	-25	815	770	4,29	1,23	1,06
50	-20	1.128	901	4,87	1,46	1,25
50	-15	1.496	1,029	5,43	1,69	1,45
50	-10	1.919	1,152	5,98	1,94	1,67
50	-5	2.398	1,272	6,51	2,19	1,88
50	0	2.932	1,388	7,03	2,46	2,11
50	5	3.521	1,501	7,53	2,73	2,35
50	7,2	3.798	1,549	7,74	2,85	2,45
50	10	4.165	1,609	8,01	3,01	2,59
55	-25	670	750	4,20	1,04	0,89
55	-20	951	897	4,85	1,23	1,06
55	-15	1.287	1,040	5,48	1,44	1,24
55	-10	1.679	1,179	6,10	1,66	1,42
55	-5	2.126	1,314	6,70	1,88	1,62
55	0	2.628	1,446	7,29	2,11	1,82
55	5	3.185	1,574	7,85	2,35	2,02
55	7,2	3.448	1,629	8,10	2,46	2,12
55	10	3.798	1,698	8,41	2,60	2,24
60	-25	525	730	4,11	0,84	0,72
60	-20	774	892	4,83	1,01	0,87
60	-15	1.079	1,051	5,53	1,19	1,03
60	-10	1.439	1,206	6,22	1,39	1,19
60	-5	1.854	1,357	6,89	1,59	1,37
60	0	2.324	1,504	7,54	1,80	1,55
60	5	2.850	1,647	8,18	2,01	1,73
60	7,2	3.099	1,709	8,46	2,11	1,81
60	10	3.431	1,787	8,80	2,23	1,92

Technical Data Sheet

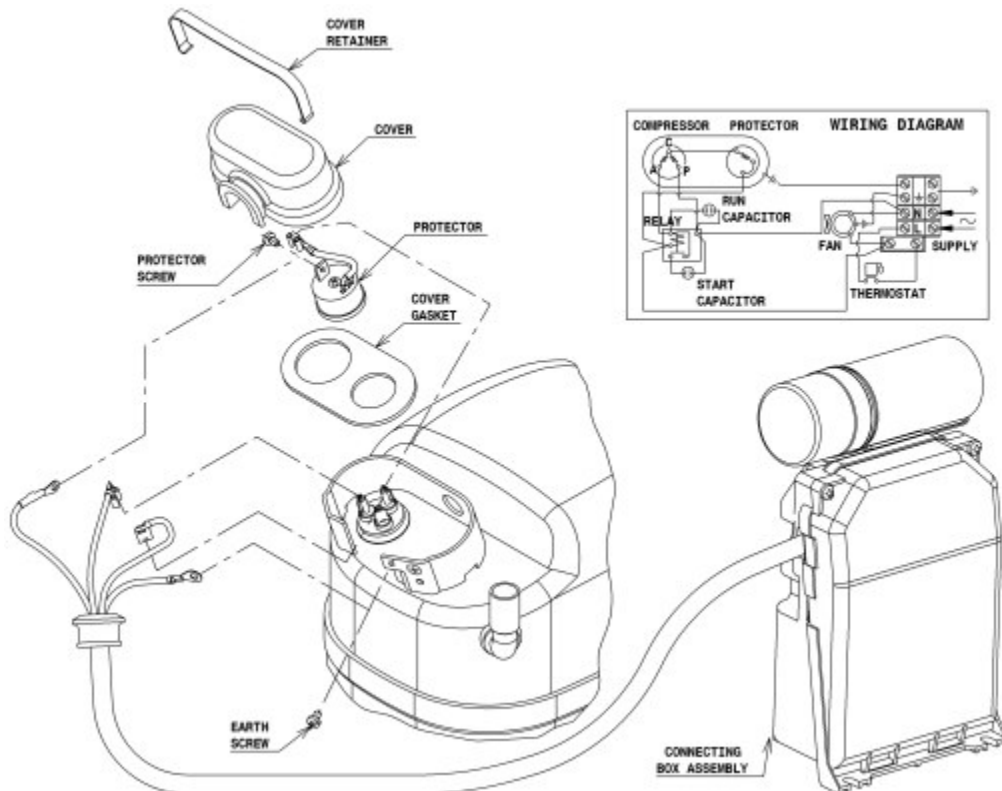
COMPRESSOR DIMENSIONS



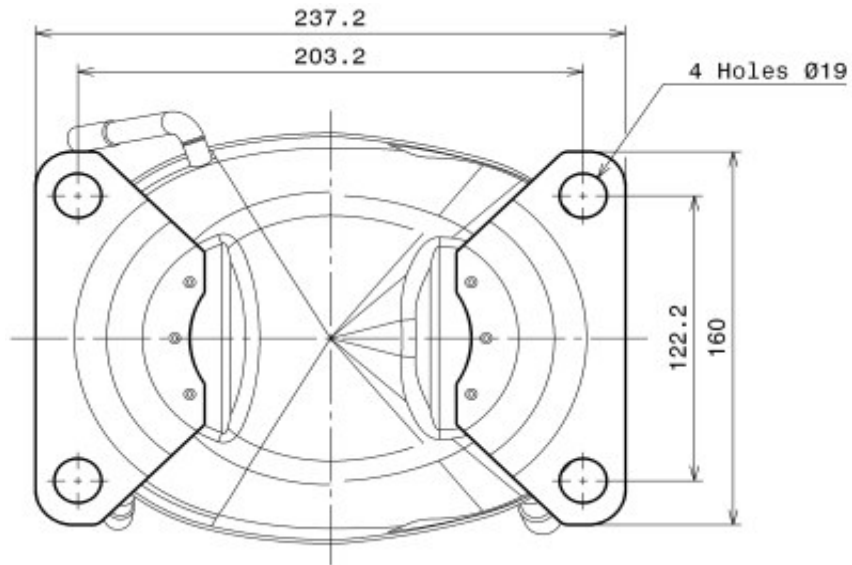
	DESIGNATION	INTERNAL DIAM.
1	Suction	12,7 mm
2	Service	9,6 mm
3	Discharge	8,0 mm

WIRING DIAGRAMS AND ELECTRICAL ASSEMBLY

CSR CONNECTION (EXTERNAL CONNECTING BOX) (S range)



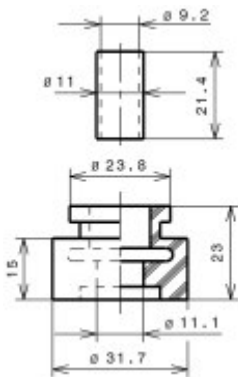
FIXINGS



SILENT BLOCKS (MOUNTING ACCESSORIES)

STANDARD

D.19 holds net (203.2x122.2)



SOA

SOA R404A HMBP

