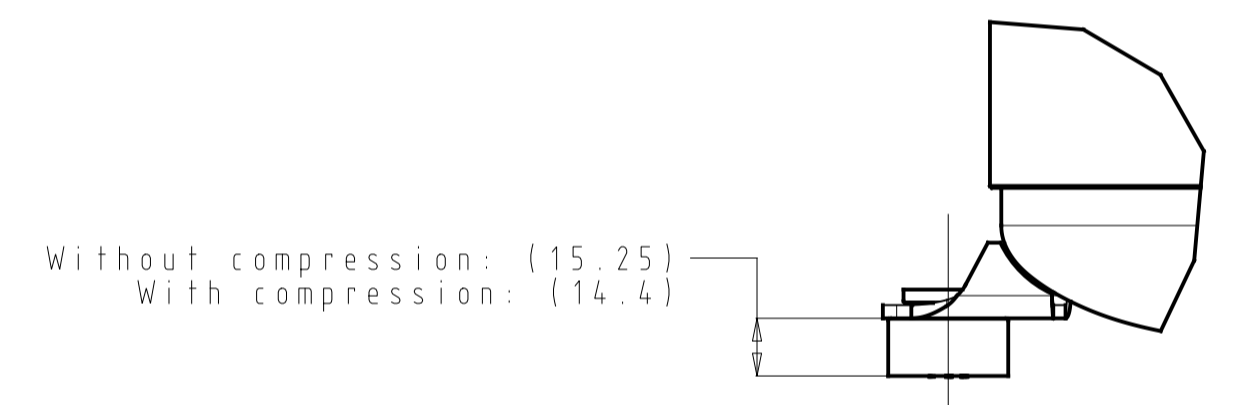
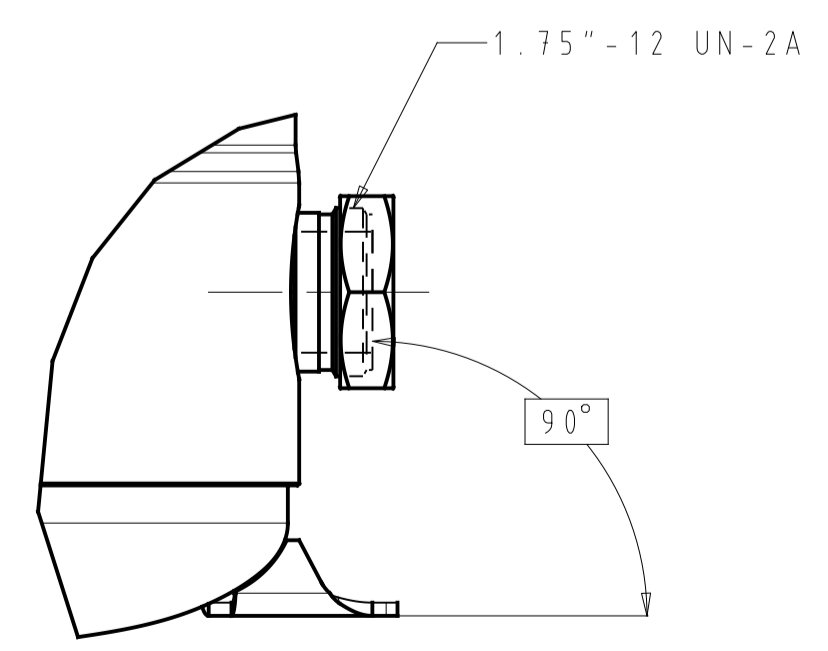
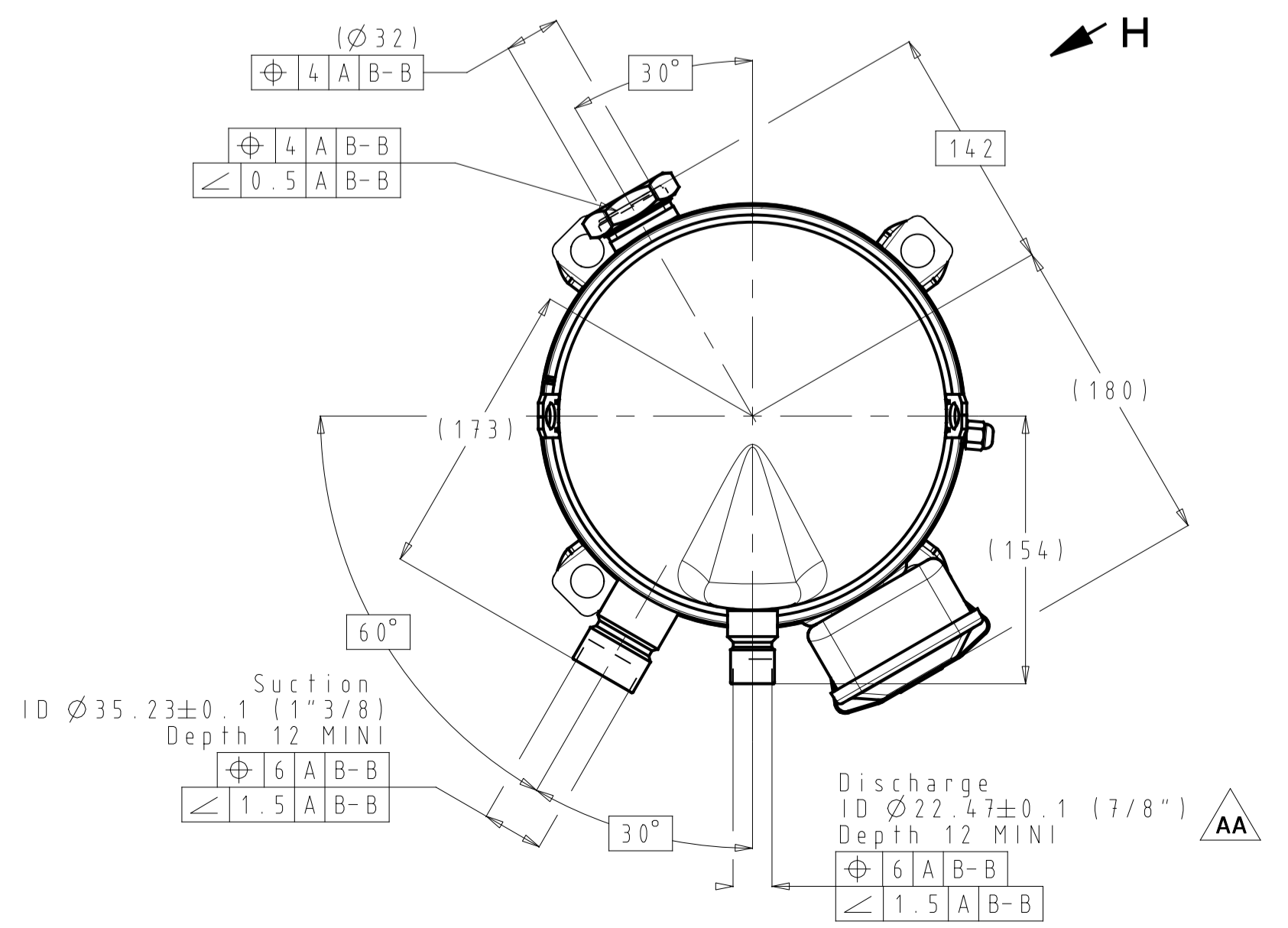


ISOMETRIC VIEW
SCALE 3/10



Rubber grommet
SCALE 1/2



VIEW H
SCALE 1/2

Part number
8560003P01A

Model	Motor code
DSH/WSH/SH105/120	3,4,6,7,9
SM124	3,4,9
SM147	4,9
SZ147	4
DSH/WSH/SH140/161	4,6,7,9
DSF115/130/155/175	1,4

General Tolerances Table		Drawing Status :		Production print		
N/A	AA	ECR-2020-12102	09-06-2020	Surface Area (m ²)	Scale	Size
Roughness (µm)	K	ECR-2020-11944	13-04-2020	Estimated Mass (kg)	1/5	A1
N/A	J	ECR-2020-11872	23-03-2020	Projection		
ISO 8015	Revision	ECR Number	Date	Key characteristic	According to Danfoss standard 50220024	
ISO 1101	Designer	Zhang Qing		Material	See Notes	
	Approval	Liu Jinheng		Designation	Outline	
					DSH/WSH,SH105/120/140/161,SM24/147,DSF115-175 T-block	
					Sheet 1 of 1	
					AA.2 Dwg No. 8560003 AA	