

Technical Data Sheet

Compressor model **GX18TB**
 Voltage **220-240V 50Hz ~1**
 Refrigerant **R134a**

APPLICATION

COMPRESSOR

MOTOR

Application	High-Medium Back Pressure	Displacement	18,40 cm ³	Approximate Power	1/2 hp
Refrigerant	R134a	Diameter	34,93 mm	Voltage/Frequency	220V 50Hz
Evaporating Temp.	-25,0 to 10,0	Stroke	19,20 mm	Voltage range	198-255 V
Expansion	Capillar/Valve	Net Weight	15,00 Kg	Type	CSIR
Comp. Cooling	Fan cooled	Oil type	ISO VG 46 ESTER	Phase number	1 P
Max. ambient temp.	43,0	Oil charge	500 cm ³	Locked rotor current	24,00 A
				Main W. resist. at 25°C	3,40
				Start W. resist. at 25°C	26,00

NOMINAL PERFORMANCE

APPROVALS

	ASHRAE	CECOMAF
Cooling Capacity	1.430 kcal/h	1.402 W
COP	2,20 W/W	1,94 W/W
EER	1,89 kcal/Wh	1,67 kcal/Wh
Input Power	755 W	724 W
Current	4,60 A	4,47 A



TEST CYCLE CONDITIONS

	ASHRAE HMBP (D)	CECOMAF HMBP (C)
Evaporating temp.	7,2 °C	5,0 °C
Condensing temp.	55,0 °C	55,0 °C
Liquid temp.	46,0 °C	55,0 °C
Ambient temp.	35,0 °C	32,0 °C
Suction temp.	35,0 °C	32,0 °C
Voltage/Frequency	220 V 50 Hz	220 V 50 Hz

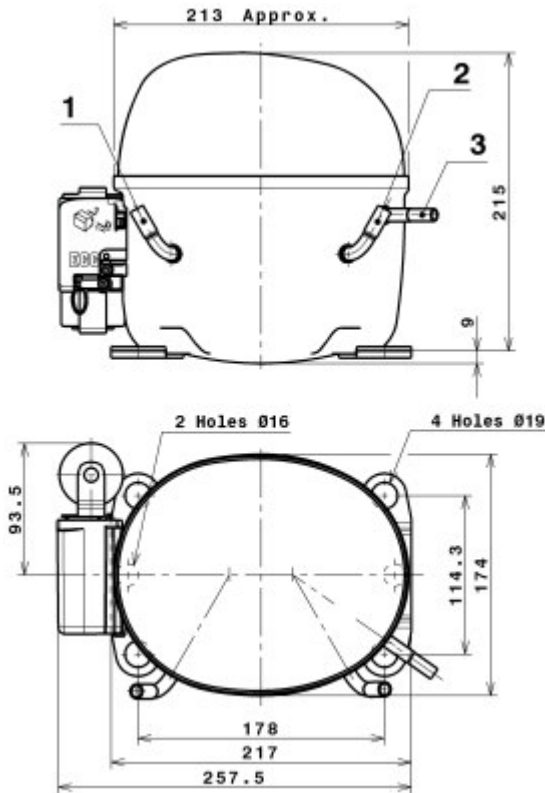
ELECTRICAL COMPONENTS

Starting capacitor	64- 77 µF 330 V			
Relay	Option 1			
Reference	2014 170.			
Pick-Up	12,10 A			
Drop-Out	10,30 A			
Protector	Option 1	Option 2		
Reference	MRA38134	T0348		
Current	15,80 A	15,40 A		
Time check	7,5-14 seg	7,5-14 seg		
Disc temp. (Open/Close)	105,00 / 52,00 °C	105,00 / 52,00 °C		

ASHRAE

Tc	Te	Cooling Capacity kcal/h	Consumption W	Current A	COP W/W	EER kcal/Wh
40	-25	372	350	3,18	1,24	1,06
40	-20	512	397	3,31	1,50	1,29
40	-15	679	445	3,45	1,78	1,53
40	-10	874	491	3,60	2,07	1,78
40	-5	1.095	538	3,76	2,37	2,04
40	0	1.344	584	3,92	2,68	2,30
40	5	1.620	630	4,09	2,99	2,57
40	7,2	1.750	650	4,17	3,13	2,69
40	10	1.923	675	4,27	3,31	2,85
45	-25	338	347	3,17	1,13	0,97
45	-20	467	400	3,32	1,36	1,17
45	-15	623	453	3,48	1,60	1,37
45	-10	806	506	3,65	1,85	1,59
45	-5	1.016	558	3,83	2,12	1,82
45	0	1.254	611	4,02	2,39	2,05
45	5	1.518	662	4,22	2,67	2,29
45	7,2	1.643	685	4,31	2,79	2,40
45	10	1.810	714	4,43	2,95	2,54
50	-25	304	343	3,16	1,03	0,89
50	-20	421	403	3,33	1,22	1,05
50	-15	566	462	3,51	1,43	1,23
50	-10	738	520	3,70	1,65	1,42
50	-5	937	579	3,90	1,88	1,62
50	0	1.163	637	4,12	2,12	1,83
50	5	1.417	695	4,35	2,37	2,04
50	7,2	1.537	720	4,45	2,48	2,13
50	10	1.697	752	4,59	2,62	2,26
55	-25	270	340	3,15	0,92	0,79
55	-20	376	405	3,33	1,08	0,93
55	-15	509	470	3,54	1,26	1,08
55	-10	670	535	3,75	1,46	1,25
55	-5	858	599	3,98	1,66	1,43
55	0	1.073	663	4,22	1,88	1,62
55	5	1.315	727	4,48	2,10	1,81
55	7,2	1.430	755	4,60	2,20	1,89
55	10	1.584	790	4,75	2,33	2,00
60	-25	236	337	3,14	0,82	0,70
60	-20	331	408	3,34	0,94	0,81
60	-15	453	479	3,56	1,10	0,95
60	-10	602	550	3,80	1,27	1,10
60	-5	779	620	4,06	1,46	1,26
60	0	982	690	4,33	1,66	1,42
60	5	1.213	759	4,62	1,86	1,60
60	7,2	1.323	790	4,75	1,95	1,68
60	10	1.471	829	4,93	2,06	1,78
65	-25	202	333	3,13	0,70	0,61
65	-20	286	411	3,35	0,81	0,70
65	-15	396	487	3,59	0,95	0,81
65	-10	534	564	3,85	1,10	0,95
65	-5	699	640	4,13	1,27	1,09
65	0	892	716	4,44	1,45	1,25
65	5	1.111	792	4,76	1,63	1,40
65	7,2	1.217	825	4,91	1,72	1,47
65	10	1.358	867	5,10	1,82	1,57

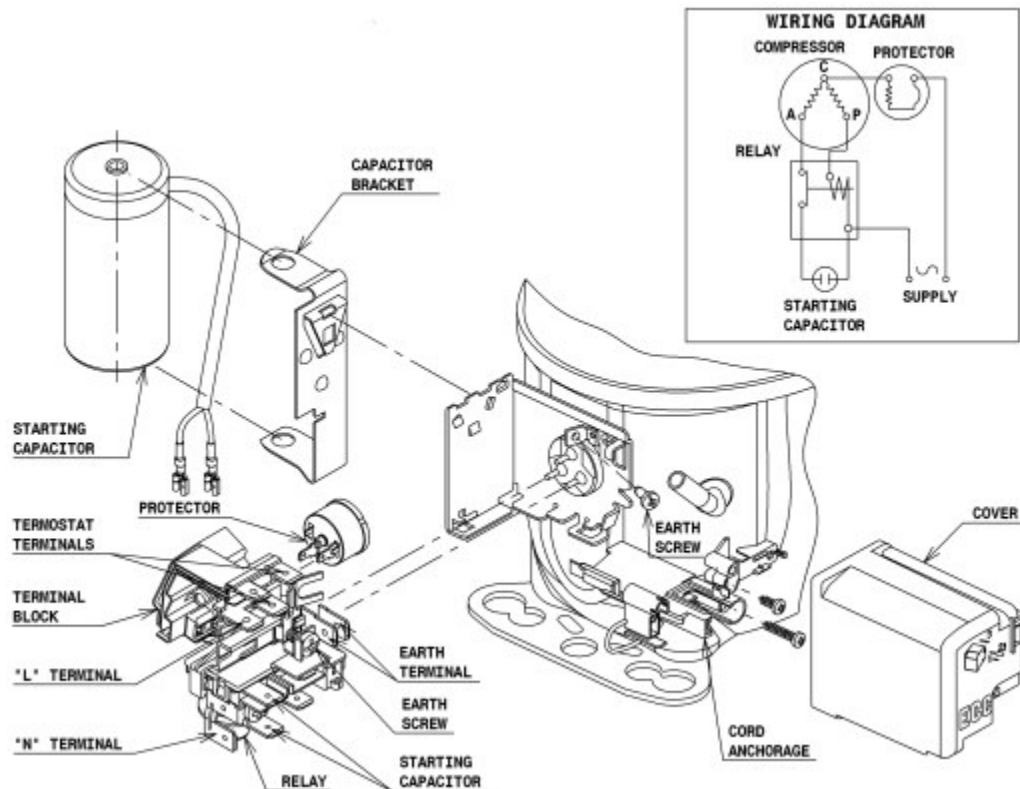
COMPRESSOR DIMENSIONS



DESIGNATION	INTERNAL DIAM.
1 Service	8,1 mm
2 Suction	8,1 mm
3 Discharge	6,5 mm

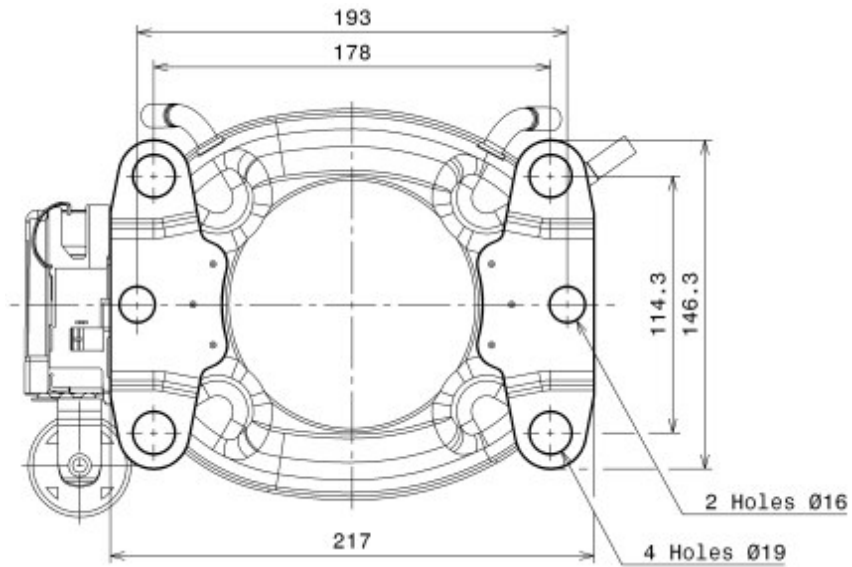
WIRING DIAGRAMS AND ELECTRICAL ASSEMBLY

CSIR CONNECTION



Technical Data Sheet

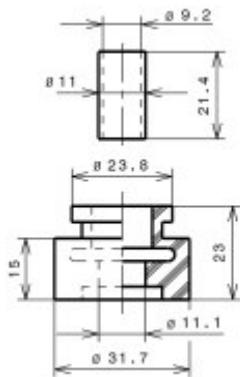
FIXINGS



SILENT BLOCKS (MOUNTING ACCESSORIES)

STANDARD

D.19 holds net (178x114.3)



SOA

SOA R134a HMBP

